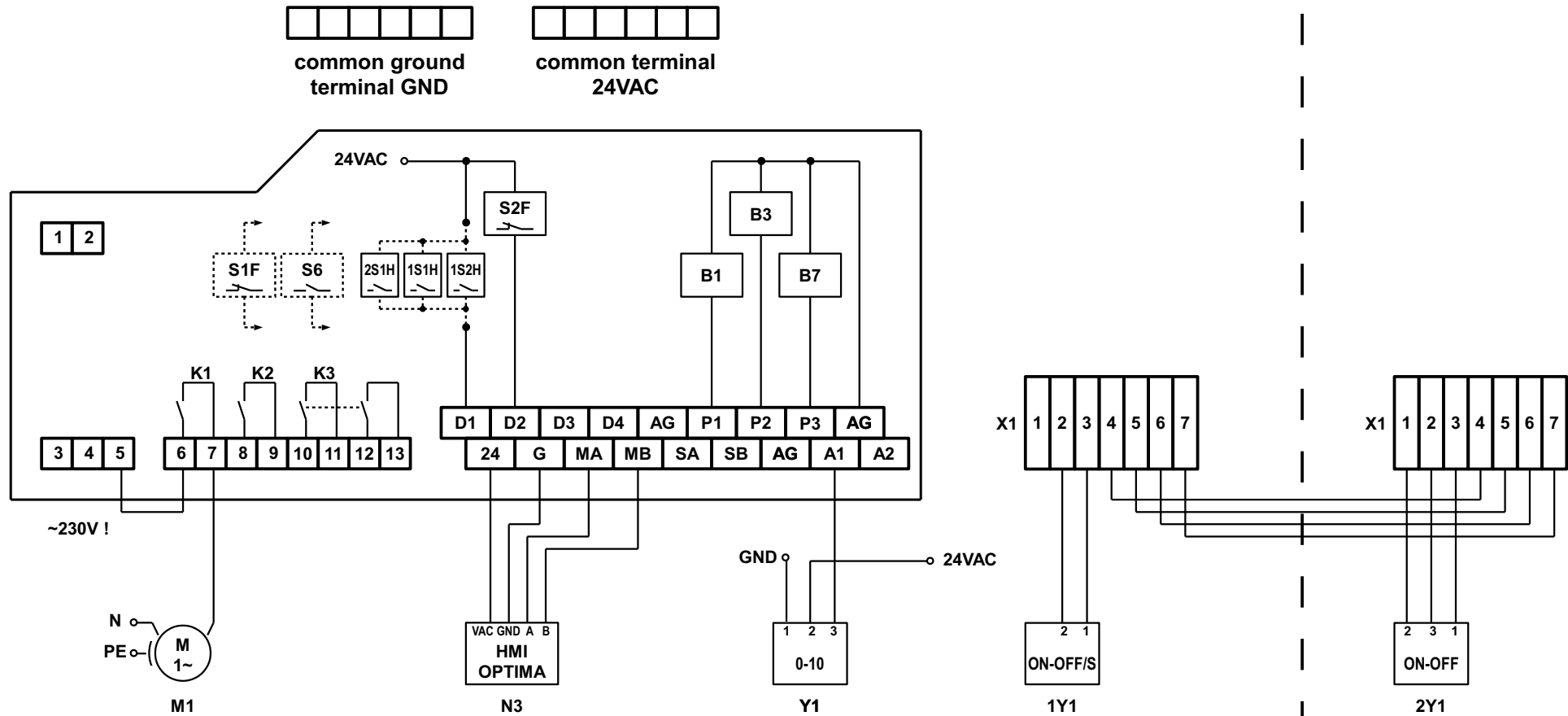


**B**

APPLICATION: ND1-S / ND1-R

NVS 23 CG OPTIMA SUP  
NVS 39 CG OPTIMA SUP  
NVS 65 CG OPTIMA SUP  
NVS 80 CG OPTIMA SUP

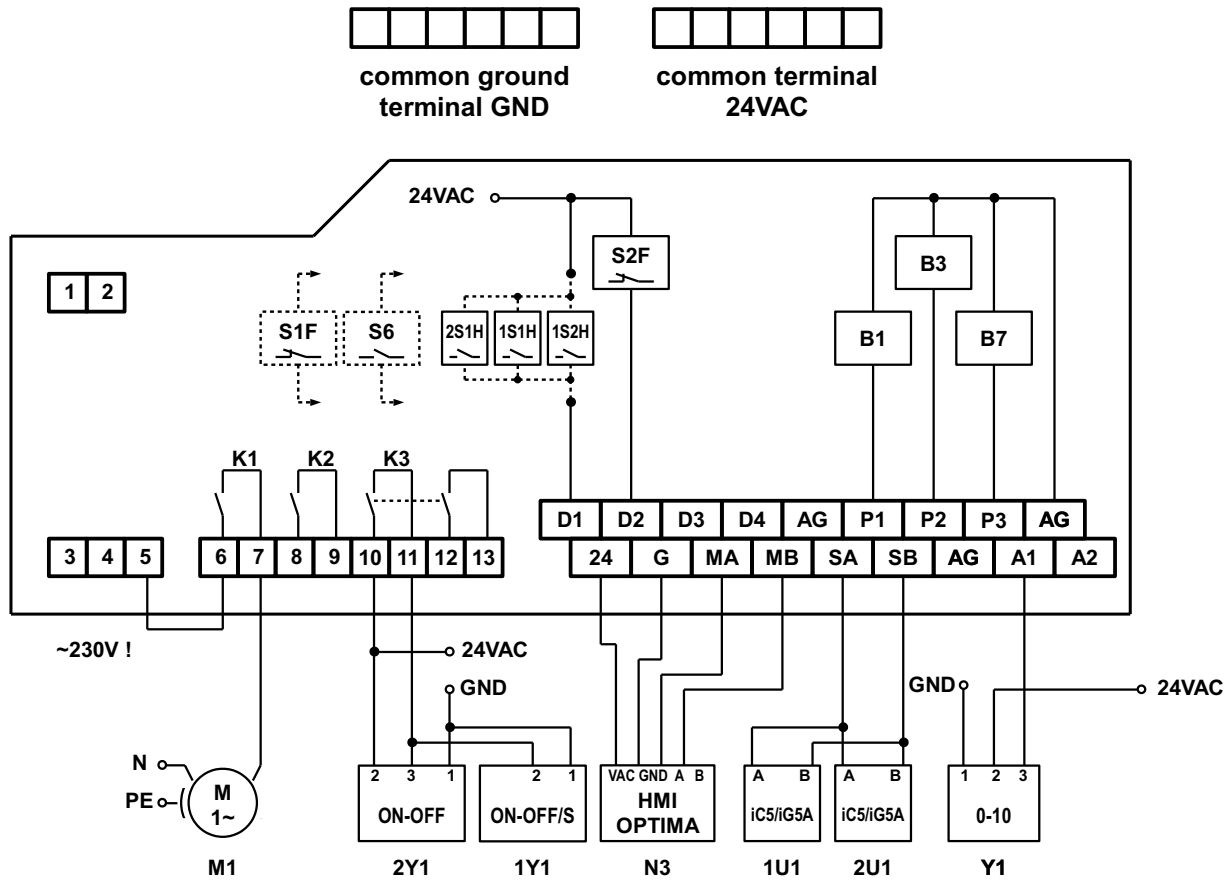
NVS 23 CG 0-2  
NVS 39 CG 0-2  
NVS 65 CG 0-2  
NVS 80 CG 0-2



**B**

**APPLICATION: ND1-S / ND1-R**

**VS 10-75 CG OPTIMA**  
**VS 40-150 CG OPTIMA SUP-EXH**



**B**

VS 10-75 CG OPTIMA  
VS 40-150 CG OPTIMA SUP  
VS 40-150 CG OPTIMA SUP-EXH

RS485 / Modbus connection details

